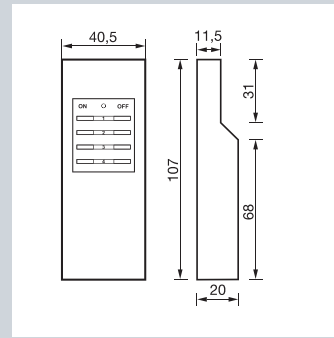
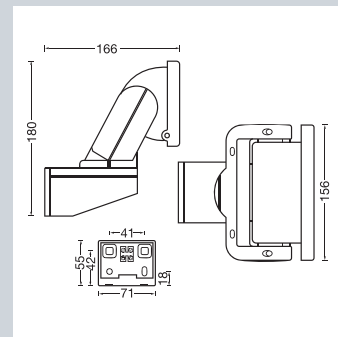


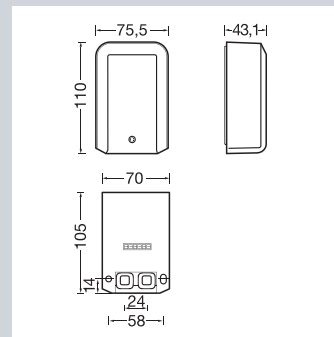
IS-FS 300



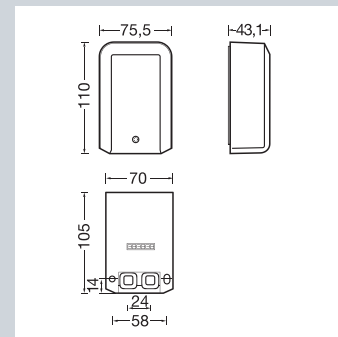
RC 400



HS-FE 150



HS-FE 500



FE 8100

9547200 Subject to technical modifications



STEINEL Vertrieb GmbH · Dieselstrasse 80 – 84 · D-33442 Herzebrock-Clarholz / Germany
Telephone +49 52 45 / 4 48-0 · Fax +49 52 45 / 4 48-1 97 · www.steinell.de · info@steinell.de

Wireless Sensor System

The New STEINEL Wireless Family



Professional Wireless Sensor Technology



The STEINEL Wireless Family

Wireless freedom is now even more reliable and flexible: The new STEINEL Impulser series combines cutting-edge sensor technology, intelligent processor control and reliable 868.3 MHz wireless communication to create an innovative solution for exacting surveillance applications. The system's hi-tech components can be combined or grouped in any way to provide the perfect solution for your very own particular needs.

The battery-operated IS-FS 300 infrared sensor is the ideal solution for integrating areas in the system that are not served by mains power.

All the benefits of STEINEL wireless systems at a glance:

- Quick and easy to install without laying cables (IS-FS 300)
- Sophisticated combination options for transmitting and receiving
- Transmitters and receivers can be configured in any chosen way
- Reliable wireless communication at 868.3 MHz
- Sensors, outdoor and indoor lights can be interconnected in any way you choose

Safety and security

- Light switches on automatically to deter uninvited guests
- Guards and lights up areas in the home, businesses, industry and public places.

Convenience

- Lights conveniently switched "ON" by remote control





Principle of the wireless family

The professional Impulser range from STEINEL features sensors, handheld transmitters, outdoor halogen floodlights and modules that are capable of incorporating the sensIQ hi-tech sensor and RS PRO HF indoor light system into wireless linked light automation.

State-of-the-art 868.3-MHz wireless technology is the heart of the Impulser range. This ISM frequency band ensures trouble-free wireless communication between all components in the system up to an unobstructed distance of 100 m. Also permits the installation of extremely low-energy transmitters. As a result, the battery-operated IS-FS 300 sensor now makes it possible to watch over remote areas without the need for cables.

The tremendous flexibility of the Impulser range is achieved by an intelligent addressing system: Each component can be set to any one of 32 addresses. Individual actuators can also be combined to create groups. The "ON" command from a sensor or remote control is sent to all wireless modules in the areas of reach. But this command is only understood by receivers with the same group address. The intelligent control system ensures that light is only ever switched ON and OFF when it makes sense. This way, the lights in a group only switch OFF when the period set on the last timer of integrated sensors has elapsed.

Integrating the innovative RS PRO indoor lighting system in the Impulser series opens up unique lighting automating capabilities. For the first time, indoor and outdoor lights can now be integrated to create an end-to-end, highly efficient lighting control system.



Wireless system

<p>868 MHz</p>	<p>WIRELESS</p> <p>max. 100 m ø 30 m</p>	<p>ON</p> <p>1 2 3 4 5</p> <p>32 addresses</p>	<p>4 channels</p>
<p>Extremely reliable wireless protocol. No interference from permanent transmitters.</p>	<p>Unobstructed wireless range of up to 100 m. May be reduced by various materials in the line of vision. Recommendation: ideally up to 30m for a reliable wireless link indoors.</p>	<p>32 possible addresses easily set by means of 5-way DIP switch.</p>	<p>Remote control can be set to 4 different fixed addresses at the same time.</p>

Professional Wireless Sensor Systems – STEINEL Wireless Transmitters

Professional Wireless Sensor Systems – STEINEL Wireless Receivers

Transmitter

Receiver



IS-FS 300
300° wireless motion detector for wall and corner mounting



9V

- Coverage angle: 300°
- Detects any movement within an area of approx. 300 m², relaying it by radio signal to any STEINEL receiver
- Power supply: 9-V battery (not included)

RC 400
Hand-held wireless transmitter



1,5 V 1,5 V 1,5 V

- Operating convenience for STEINEL receivers (indoors and outdoors)
- Small and practical, always to hand
- Power supply: 3 x 1.5-V battery (not included)

MF 1
Wireless module for sensIQ and RS PRO 1000



- Operating convenience for STEINEL receivers (indoors and outdoors)
- Suitable for sensIQ and RS PRO 1000
- Bidirectional (transmitter and receiver)

HS-FE 150
Wireless halogen floodlight with receiver



- Receives the radio signals from up to 8 STEINEL transmitters
- Automatically switches light "ON" and "OFF"
- Housing in die-cast aluminium

HS-FE 500
Wireless halogen floodlight with receiver



- Receives the radio signals from up to 8 STEINEL transmitters
- Automatically switches light "ON" and "OFF"
- Housing in die-cast aluminium

FE 8100
Wireless receiver



- Receives the radio signals from up to 8 STEINEL transmitters
- Switches the plugged-in load "ON" and "OFF" automatically

MF 1
Wireless module for sensIQ and RS PRO 1000



- Receives wireless signals from any transmitters
- Suitable for sensIQ and RS PRO 1000
- Bidirectional (transmitter and receiver)

	IS-FS 300
Prod. No.	black 704711 white 705213
Dimensions (h x w x d)	85 x 60 x 95 mm
Operating voltage / mains connection	9 x -V block battery* (alkaline) (min. life 12 months)**
Detection reach	12 m max., electrically stabilised
Sensor system	10 detection levels, 720 switching zones
Angle of coverage	300° horizontally, 180° vertically
Sensor turning range	± 80°
Transmitter range	up to 100 m with uninterrupted line of vision dia. of 30 m indoors
Time setting	1 min. – 15 min.
Twilight setting	2 – 2000 lux
Enclosure	IP 54
Bulb wattage	
Switching capacity	
Operating frequency	868.3 MHz (ISM band)
Transmitter power	less than 1000 µW
Programming	at 5-way DIP switch 32 possible addresses per channel
Number of receivers	Any
Special features	9 V block battery not included
Accessories	- Corner wall mount (EWH 01) available
Prod. No.	630119 black, 630218 white

	RC 400
Prod. No.	black 704810
Dimensions (h x w x d)	107 x 40.5 x 20 mm
Operating voltage / mains connection	3 x 1.5-V battery, type AAA (min. life 12 months)**
Detection reach	
Sensor system	
Angle of coverage	
Sensor turning range	
Transmitter range	up to 100 m with uninterrupted line of vision dia. of 30 m indoors
Time setting	
Twilight setting	
Enclosure	IP 20
Bulb wattage	
Switching capacity	
Operating frequency	868.3 MHz (ISM band)
Transmitter power	less than 1000 µW
Programming	at 5-way DIP switch 32 possible addresses per channel
Number of receivers	Any
Special features	Permanently ON / OFF batteries not included
Accessories	
Prod. No.	

	MF 1
Prod. No.	white 736712
Dimensions (h x w x d)	75 x 35 x 17 mm
Operating voltage / mains connection	via sensIQ or RS PRO 1000
Detection reach	
Sensor system	
Angle of coverage	
Sensor turning range	
Transmitter range	up to 100 m with uninterrupted line of vision dia. of 30 m indoors
Time setting	
Twilight setting	
Enclosure	
Bulb wattage	
Switching capacity	
Operating frequency	868.3 MHz (ISM band)
Transmitter power	less than 1000 µW
Programming	at 5-way DIP switch 32 possible addresses per channel
Number of receivers	Any
Special features	
Accessories	
Prod. No.	

	HS-FE 150
Prod. No.	black 704919 white 705312
Dimensions (h x w x d)	180 x 158 x 166 mm
Operating voltage / mains connection	230-V mains power supply
Detection reach	
Sensor system	
Angle of coverage	
Sensor turning range	
Transmitter range	
Time setting	
Twilight setting	
Enclosure	IP 44 (protection class I)
Bulb wattage	150 W / R7s (incl.) 800 W max. (L')
Switching capacity	
Operating frequency	868.3 MHz (ISM band)
Transmitter power	
Programming	at the press of a button / capability of programming up to 8 different transmitters
Number of receivers	
Special features	Floodlight housing, tilts and swivels
Accessories	- Corner wall mount (EWH 02) available
Prod. No.	630560 black, 630669 white

	HS-FE 500
Prod. No.	black 705015 white 705411
Dimensions (h x w x d)	205 x 205 x 246 mm
Operating voltage / mains connection	230-V mains power supply
Detection reach	
Sensor system	
Angle of coverage	
Sensor turning range	
Transmitter range	
Time setting	
Twilight setting	
Enclosure	IP 44 (protection class I)
Bulb wattage	500 W / R7s (incl.)
Switching capacity	-
Operating frequency	868.3 MHz (ISM band)
Transmitter power	
Programming	at the press of a button / capability of programming up to 8 different transmitters
Number of receivers	
Special features	Floodlight housing, tilts and swivels
Accessories	
Prod. No.	

	FE 8100
Prod. No.	black 705114 white 705510
Dimensions (h x w x d)	110 x 75.5 x 43 mm
Operating voltage / mains connection	230-V mains power supply
Detection reach	
Sensor system	
Angle of coverage	
Sensor turning range	
Transmitter range	
Time setting	
Twilight setting	
Enclosure	IP 54
Bulb wattage	1000 W max. (resistive load, e.g. filament bulb) 500 W max. (uncorrected, inductive, cos φ = 0.5, e.g. fluorescent lamps)
Switching capacity	
Operating frequency	868.3 MHz (ISM band)
Transmitter power	
Programming	at the press of a button / capability of programming up to 8 different transmitters
Number of receivers	
Special features	For installation indoors and outdoors
Accessories	
Prod. No.	

	MF 1
Prod. No.	white 736712
Dimensions (h x w x d)	75 x 35 x 17 mm
Operating voltage / mains connection	via sensIQ or RS PRO 1000
Detection reach	
Sensor system	
Angle of coverage	
Sensor turning range	
Transmitter range	up to 100 m with uninterrupted line of vision dia. of 30 m indoors
Time setting	
Twilight setting	
Enclosure	
Bulb wattage	
Switching capacity	
Operating frequency	868.3 MHz (ISM band)
Transmitter power	less than 1000 µW
Programming	at 5-way DIP switch 32 possible addresses per channel
Number of receivers	Any
Special features	
Accessories	
Prod. No.	

* at a constant temperature < -20° C we recommend the use of 9-V lithium batteries

** depending on triggering frequency (frequency of motion detection)